

Duplex Mill & Mfg. Co.

Parts Price List

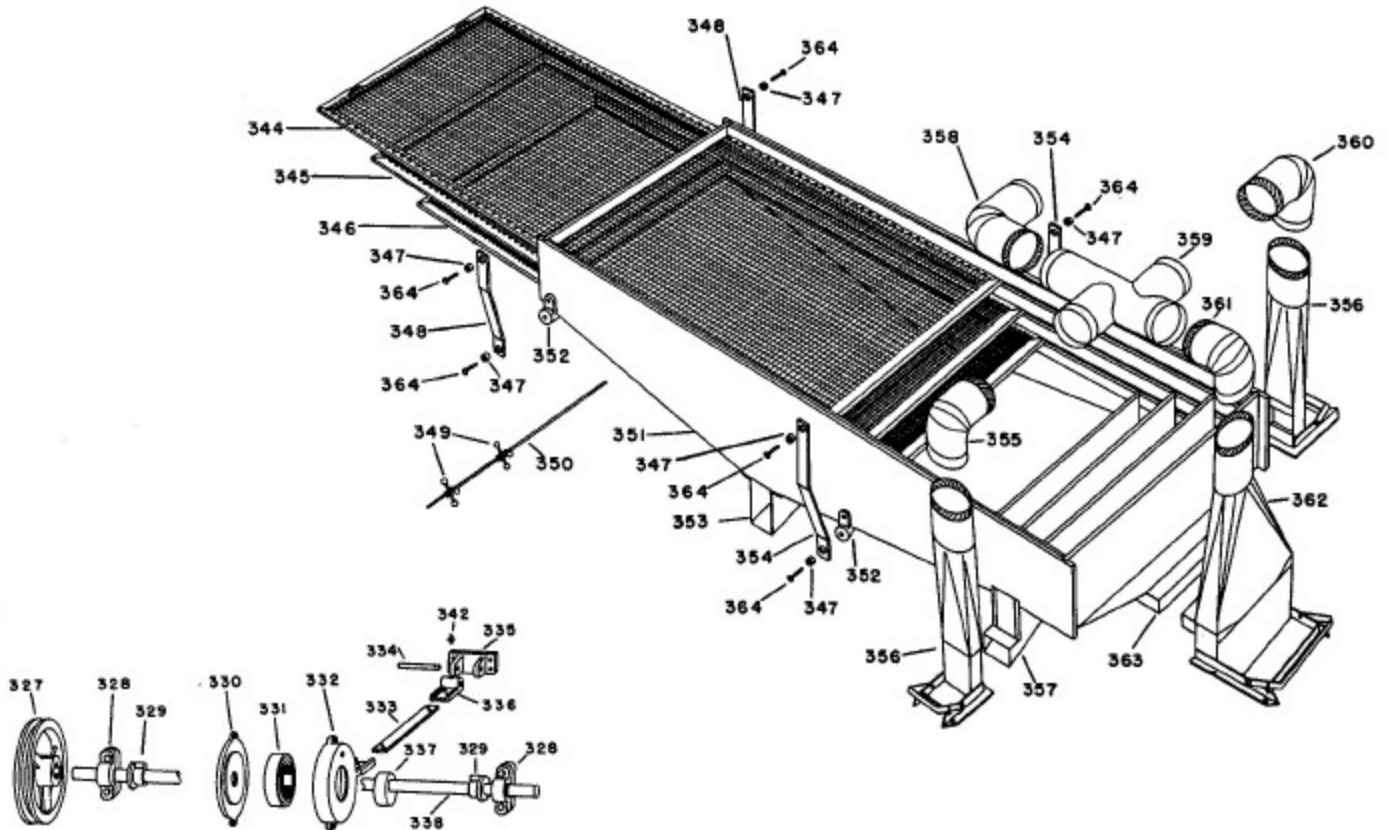
Prices subject to change without notice.

Corn Cutter and Graders, Model 15, 15 1/2, 56, 56 1/2

Price list number: DN1002-PL-PQW

Ref: 1598-8, #384, Effective: 1/1/01

Comments: These prices are for non-standard & obsolete CC&G



Note: Part numbers 301 through 308—366 and 367—and all part numbers on the No. 15 Cutter Head—are also used on Models 15, 15 1/2, 56 and 56 1/2. Refer to Models 222 and 333 Parts Price List for description and prices.

Duplex Mill & Mfg. Co.

Corn Cutter and Graders, Model 15, 15 1/2, 56, 56 1/2

Parts Price List

Price list number: DN1002-PL-PQW

Prices subject to change without notice.

Ref: 1598-8, #384, Effective: 1/1/01

Comments: These prices are for non-standard & obsolete CC&G

Corn Cutter & Grader Parts Pricing, Models 15, 15 1/2, 56, 56 1/2		Price	
Part No.	Description	Model 15 & 15 1/2	Model 56 & 56 1/2
0327	1B x 8-3/4" OD Eccentric Drive Sheave Note: 16" B96 belt prior to 1960	114.25	114.25
0328	1-1/4" Babbit Pillow Block Bearing Note: The new bearing is physically smaller – has the same bolt holes, but is taller than the old bearing. If customer is replacing the old bearing -- should purchase 2 new bearings or will be required to modify the remaining old bearing.	\$142.10	\$142.10
0329	Collar (1/10/01)	43.95	43.95
0330	Eccentric Housing Cap (1/10/01)	94.80	94.80
0331	Eccentric Ball Bearing (3213) (1/10/01) (See part #337) (Old New departure #3213; New FAG #6213ZR, 2 steel seals)	167.80	167.80
0332	Eccentric Housing (1/10/01)	347.40	347.40
0333	Eccentric Strap (1/10/01)	52.45	52.45
0334	Pin for Hinge (1/10/01)	13.75	13.75
0335	Hinge Casting for Shoe (1/10/01)	154.80	154.80
0336	Hinge Casting to Eccentric (1/10/01)	154.80	154.80
0337	Cam or Eccentric Collar (G796) (1/10/01) Fits inside of #0331 ball bearing. Should be purchased with bearing.	178.85	178.85
	Woodruff Key for Collar (1/10/01)	7.20	7.20
0338	Eccentric Shaft (1/10/01)	482.90	482.90
0342	Zerk Fitting	3.50	3.50
0344	Upper Screen w/frame - Stainless Steel Screen	544.25	544.25
0345	Middle Screen w/frame – Stainless Steel Screen	544.25	544.25
0346	Lower Screen w/frame – Stainless Steel Screen	544.25	544.25
0346A	Stainless Steel Screen, ONLY less frame	226.90	226.90
0346B	Frame ONLY, less screen	350.00	350.00
0347	Hanger Bushing	6.80	6.80
0348	Short Hanger	43.50	43.50
0349	Agitator Casting (Bumper) w/Balls 2 Rubber balls & 1 Steel Ball on each Casting	41.30	0.00
0349A	Ball Only	4.15	4.15
0350	Agitator Rod	27.50	27.50
0351	Shoe	2434.80	2434.80
0352	Hanger Casting	32.00	32.00
0353	Meal Spout	116.50	105.20
0354	Long Hanger	50.30	50.30
0355	Side Drop Elbow (Left)	78.80	78.80
0356	Side Drop	182.90	174.80

Duplex Mill & Mfg. Co.

Parts Price List

Prices subject to change without notice.

Corn Cutter and Graders, Model 15,15 1/2, 56, 56 1/2

Price list number: DN1002-PL-PQW

Ref: 1598-8, #384, Effective: 1/1/01

Comments: These prices are for non-standard & obsolete CC&G

0357	Side Spout	164.50	156.60
0358	Elbow (Blower Intake)	182.90	182.90
0359	Double Tee	171.40	160.10
0360	Side Drop Elbow (Right)	78.90	70.80
0361	Front Drop Elbow	78.90	70.80
0362	Front Drop	655.90	655.90
0363	Front Spout	259.40	240.00
0364	Bolt	3.50	3.50